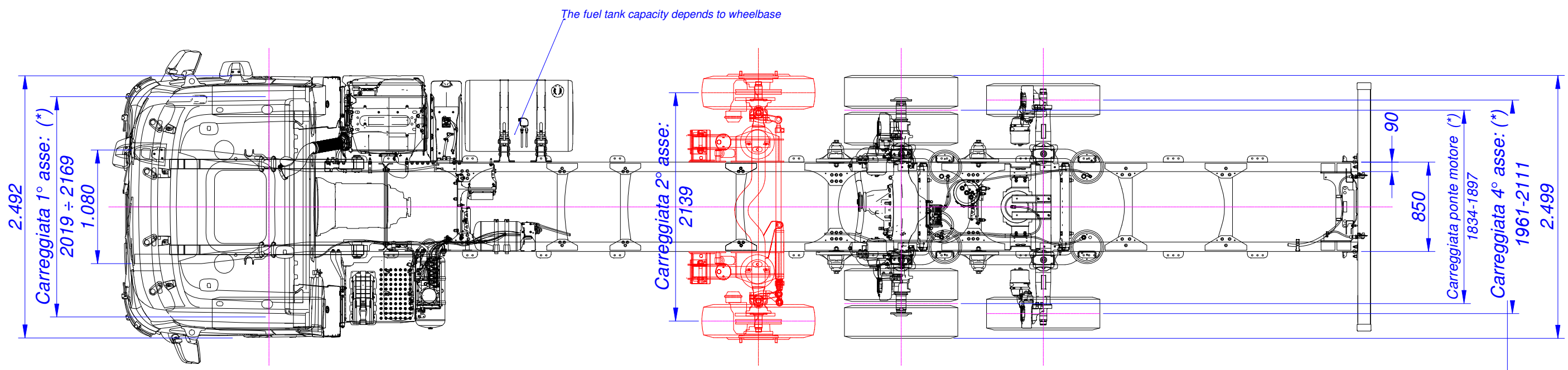
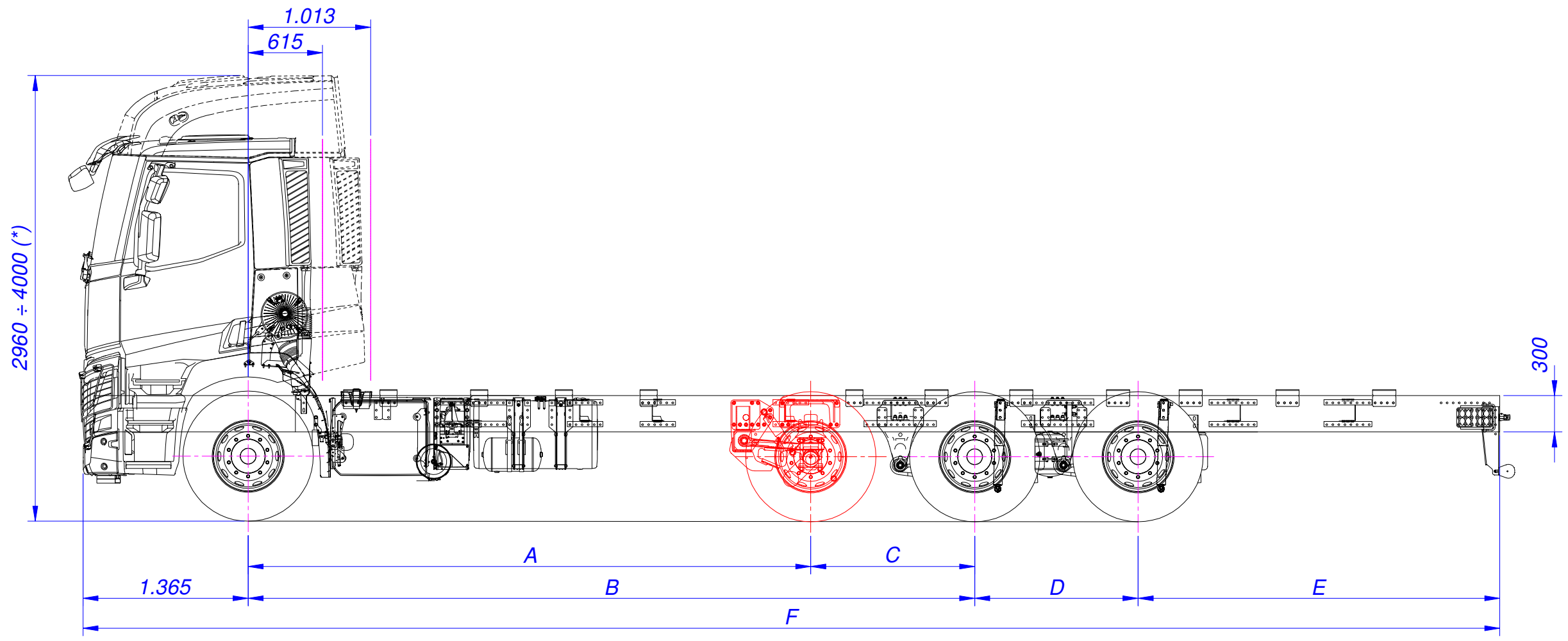


(*) Vedere scheda informativa
 (*) See information document



PASSO	A	B	C	D	E	F
4300	2900-2950	4305	1355 o 1405	1350	2140	9160
4600	3200-3250	4605		1350	2290	9610
4800	3400-3450	4805		1350	2390	9910
4900	3500-3550	4905		1350	2440	10060
5200	3800-3850	5205		1350	2590	10510
5600	4200-4250	5605		1350	2790	11110
6000	4600-4650	6005	1350	2990	11710	

In rosso particolari aggiunti o modificati

<p>S.T. System Truck S.p.A. via Paesa, 28 - I 46048 Roverbella (MN) tel. +39 0376 696809 www.stsystemtruck.com</p>	Tightening tolerance - I004	ISO 2768 - ---- Tolerancing ISO 8015	Author E.RAGOSTA	Date 05/10/2023		Scale 1:20
	Description FIGURINO RENAULT C 6X2 PNEUM. EURO 6 CONF. 1+3					
Code 55.01.13.0021	Drawing 55.01.13.0021	Sheet 1/1	Format A1			