





0. Index

1. Warranty	3
2. Introduction	4
3. Suspension components	5
4. Electrical components for hydraulic steering system	6
5. Hydraulic steering components	7
6. Air system (brakes + suspension) components	9
7. Table components	11
8. Axle components	14
9. Note	19
10. Contact us	20





SPARE PARTS CATALOGUE RENAULT LANDER



ENGLISH

1. Warranty

1.1. The dealer has to inform S.T. System Truck Italy about the repair (Mail or phone):

Brendan Ryan

+39 0376 696809
+39 0376 1590804
+39 348 5203442
export@stsystemtruck.com

1.2. According to the diagnostic S.T. System Truck will send the required parts free of charge for the repair. Replaced Parts have to be sent by courier to System Truck. If the parts are found to be damaged due to incorrect use or lack of maintenance, the customer invoiced for the cost of the part(s) + P&P.

1.3. No work is to be completed by the dealer until the total number of required man-hours has been agreed with S.T. System Truck.

1.4. A component replacement time chart is available for all potential replacement work required on the vehicle. The number of man-hours agreed between the dealer and S.T. System Truck will be based on this document only. In the unlikely event that other warranty work not detailed in the time chart is required refer to point 1.3.

1.5. The dealer may use only original parts from System Truck Italy, Use of other non S.T. System Truck components

invalidates the warranty. Original S.T. System Truck parts modified by the dealer will not covered by warranty.

1.6. The dealer must send a proforma invoice to S.T. System Truck before repairing the vehicle. This proforma invoice must written in ENGLISH or ITALIAN and include the following information:

- description of repair,
- required number of man-hours to complete repair,
- chassis number of vehicle,
- components used / required.

Address:

S.T. System Truck S.p.A.

Via Paesa, 28
I-46048 Roverbella (Mantova)

1.7. The dealer must receive S.T. System Truck approval of proforma invoice before the repair can begin.

1.8. If, during the repair, additional work is required, this must be discussed and agreed to with S.T. System Truck personnel (see point 1.1) by telephone or mail. It is paramount that the customer vehicle is repaired in the shortest timeframe possible.

1.9. The dealer may send a full invoice to S.T. System Truck based on the proforma invoice point 1.6. The invoice will be paid within 60 days.

1.10. **The warranty period is twelve (12) months from OEM delivery date to customer.** If this date has not been provided



SPARE PARTS CATALOGUE RENAULT LANDER



ENGLISH

to S.T. System Truck the invoice issue date will be used. A maximum period of 6 months is allowed for body builder work.

1.11. Failure to meet any of the above criteria will result in non-payment of the final invoice.

2. Introduction

Dear Customer,

when placing orders for spare parts please have the following information available:

- vehicle chassis number,
- assembly drawing number,
- item number or part number.

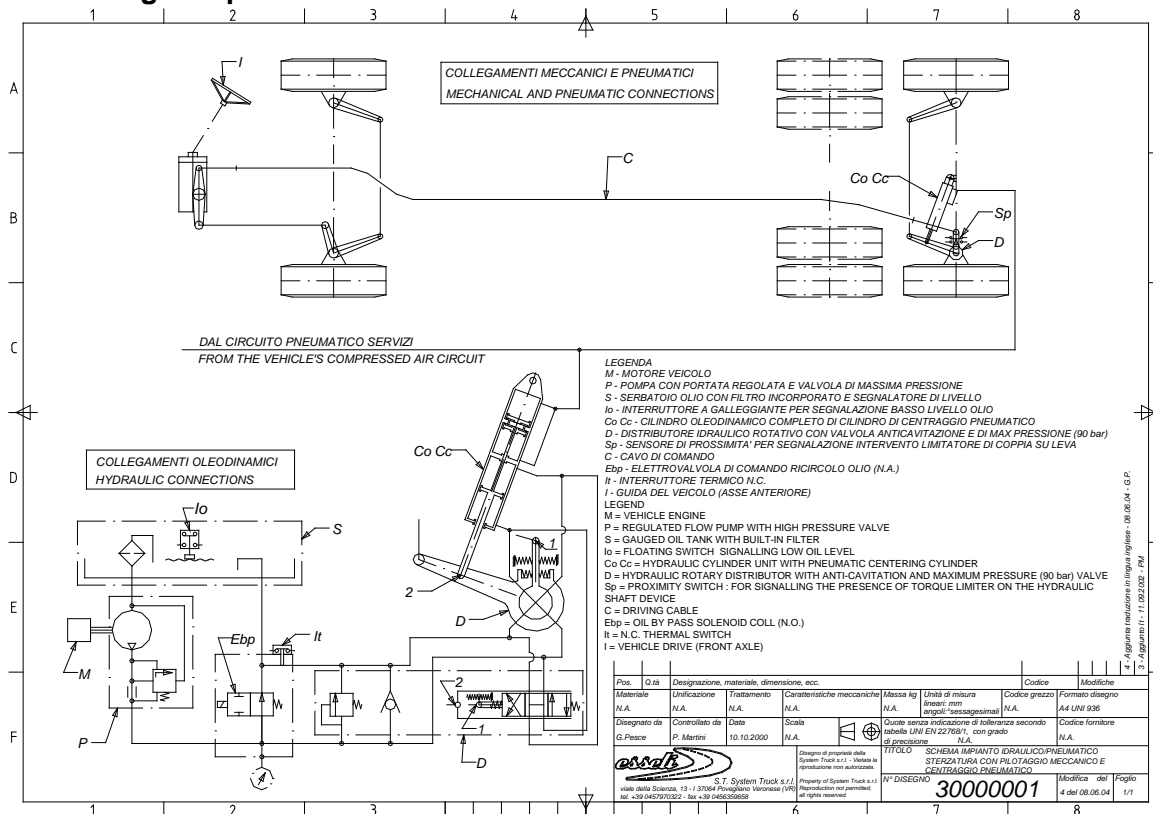
NOTA: The SYSTEM TRUCK guarantee is only valid if original S.T. spare parts are used.

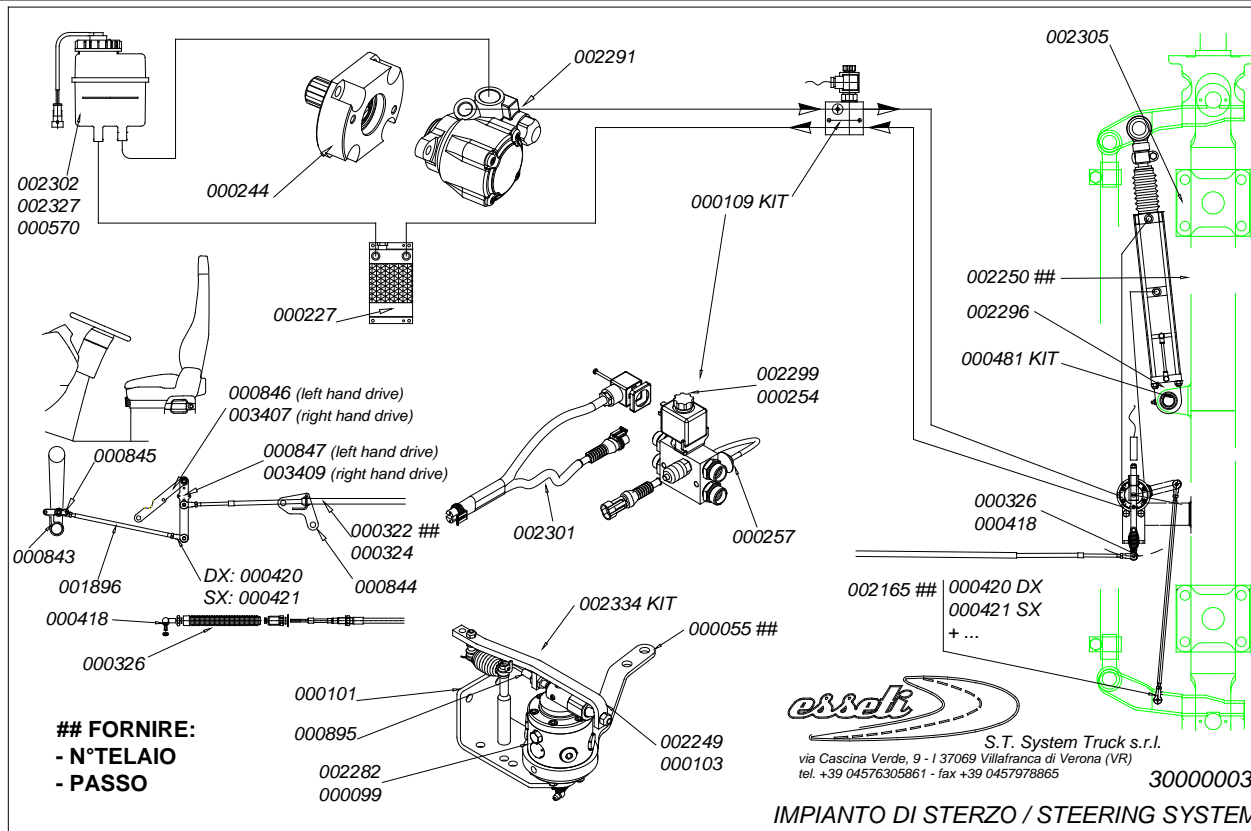
3. Suspension components

Pos	Cod Ricambio	Cod Articulo	Descrizione	Quantità
1	000047	05100001	SPRING	2,00
2	000003	05101012	AIR BAG	3,00
3	000001	05102005	SHOCK ASSORBER	2,00
4	002158	10.07.00.0032	AIR BAG SUPPORT	2,00
5	002180	10.07.00.0042	SUSPENSION SUPPORT (L)	1,00
6	002181	10.07.00.0043	REAR SUSPENSION SUPPORT	1,00
7	002006	10.23.25.0001	AXLE LIFT DEVICE SUPPORT	2,00
8	000006	10210029	CROSS MEMBER GROUP	1,00
9	000463	10459001	SPRING EYE WASHER SET	4,00
10	000686	10459050	AXLE ALIGNMENT PLATE	2,00
11	000633	10500010	U-BOLT	4,00
12	001113	10500051	NUT	8,00
13	000466	10500101	NUT	2,00
14	000467	10500151	SPRING EYE BOLT	2,00
15	000630	10940077	AXLE LIFT DEVICE SUPPORT	1,00
16	000631	10940079	COPERCHIO MOLLA SOLLEV.	1,00
17	002579	206000250000	WASHER SET FOR SHOCK ABSORBER	4,00
18	002316	220000240160	BOLT	2,00
19	000886	222000240090	BOLT	2,00
20	000640	520000240000	NUT	2,00
21	S08C071351		AXLE	1,00

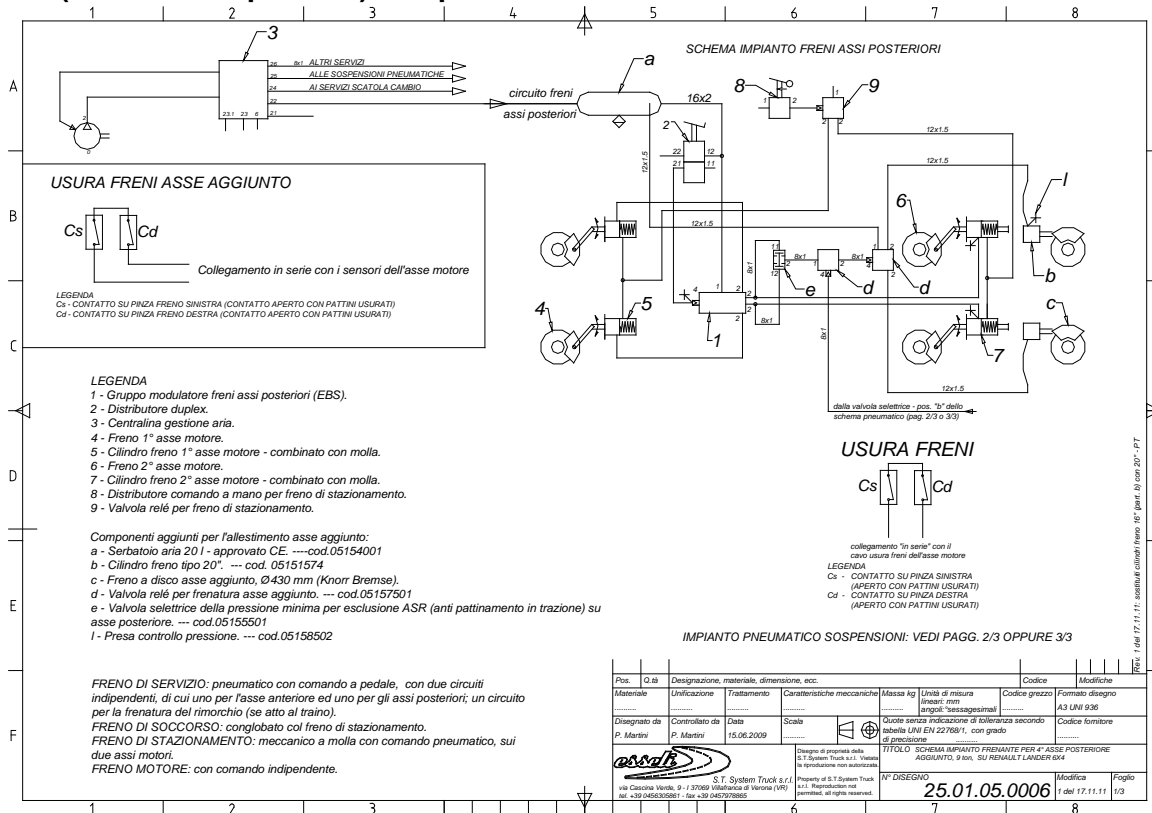
<p>S.T. System Truck srl. Via Cavallotti, 9 37069 Villafranca di Verona (VR) Tel. +39-0445/36611 - Fax +39-0445/36612 www.essati-truck.com - info@essati-truck.com</p>	Disegnato con i Modificare solo CON	Formato disegno A3 UNI 936	Materiale	Trattamento	Finiture superf.	Massa kg 652,19
	Quale senza indicazione di tolleranza secondo tabella UNI EN 22768/1, con grado di precisione M30	Unità di misura lineari in angoli in gradi/centesimali	Disegnato da N.SEMBINI	Controlato da P.Martini	Data 03/05/2012	Scala 1:10
Titolo SOSPENSIONE POST. PNEUM. 9 TON 4° ASSE STERZ. - RENAULT LANDER 6x4			N° disegno 10.01.00.0008		Foglio 1	

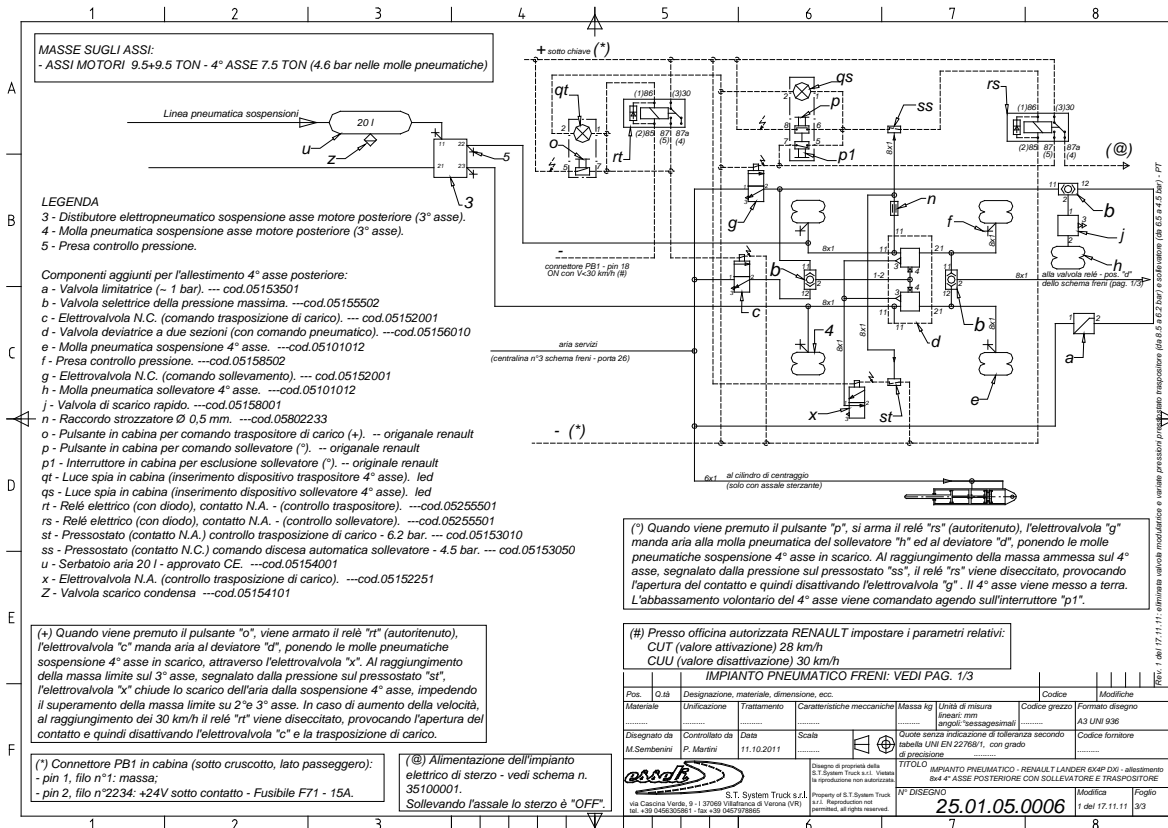
5. Hydraulic steering components





6. Air system (brakes + suspension) components







SPARE PARTS CATALOGUE RENAULT LANDER



ENGLISH

7. Table components

Spare part No.	Part No.	Description	QTY
000001	05102005	SHOCK ASSORBER	2
000003	05101012	AIR BAG	3
000006	10210029	CROSS MEMBER GROUP	1
000047	05100001	SPRING	2
000055	801611	DISTRIBUTOR RING LEVER	2
000099	701568	DISTRIBUTOR ROTATION BOLT SUPPORT	1
000101	601570	DISTRIBUTOR SUPPORT GROUP	2
000103	701338	DISTRIBUTOR SPRING GROUP	2
000109	601576	BY-PASS GROUP - ELECTROVALVE - PRESSURE TAKE-OFF - THERMOSTAT	1
000128	05151574	BRAKE CYLINDER	2
000132	05152001	ELECTROVALVE NC (NORMALLY CLOSED)	2
000133	05152251	ELECTROVALVE NA (NORMALLY OPEN)	1
000143	05153000	PRESSURE SWITCH COVER	2
000145	05153050	PRESSURE SWITCH N.C.	1
000150	05153010	PRESSURE SWITCH N.O.	1
000156	05153501	PRESSURE LIMITING VALVE (9 BAR)	1
000157	05154001	AIR TANK	2
000160	05154101	AIR TANK BLEED VALVE	2
000172	05155501	SELECTOR VALVE PMIN	1
000173	05155502	SELECTOR VALVE PMAX	2
000180	05156010	DEVIATION VALVE	1



SPARE PARTS CATALOGUE RENAULT LANDER



ENGLISH

Spare part No.	Part No.	Description	QTY
000196	05157501	VALVE RELE'	2
000198	05158001	RAPID DISCHARGE	2
000200	05158502	AIR TAKE-OFF	3
000227	05202405	RADIATOR AIR/OIL	1
000244	701021	PUMP PTO FLANGE ON RENAULT VOLVO D12	1
000254	901183G	BY PASS SOLENOID	1
000257	901585	THERMOSTAT	1
000322	05228001	COMMAND CABLE GROUP	2
000324	05229001	COMMAND CABLE GROUP	1
000326	05220001	COMMAND CABLE SLEEVE	8
000397	05255501	RELAY WITH DIODE	4
000418	05304015	BALL JOINT M8 DX	9
000420	05304018	BALL JOINT DX	2
000421	05304018	BALL JOINT SX	2
000463	10459001	SPRING EYE WASHER SET	4
000466	10500101	NUT	2
000467	10500151	SPRING EYE BOLT	2
000481	15011001	CONICAL PIN GROUP (OIL CYLINDER) - KIT	2
000570	45112203	PLATE - TANK SUPPORT	1
000630	10940077	AXLE LIFT DEVICE SUPPORT	1
000631	10940079	COPERCHIO MOLLA SOLLEV.	1
000633	10500010	U-BOLT	4
000640	52000240000	NUT	2



SPARE PARTS CATALOGUE RENAULT LANDER



ENGLISH

Spare part No.	Part No.	Description	QTY
000686	10459050	AXLE ALIGNMENT PLATE	2
000843	01150040	GAUGE COUPLING LEVER	1
000844	45212025	ELECTRIC CABLE SUPPORT	1
000846	45250012	LEVER SUPPORT (LEFT HAND DRIVE)	1
000847	45250095	LEVER SUPPORT (LEFT HAND DRIVE)	1
000886	222000240090	BOLT	2
000895	35951001	PROXIMIT SENSOR WITH WIRED CABLE + CONNECTORS M8 X 1 - NA	2
001113	10500051	NUT	8
001896	45250180	ROD POWER STEERING	1
002006	10.23.25.0001	AXLE LIFT DEVICE SUPPORT	2
002158	10.07.00.0032	AIR BAG SUPPORT	2
002165	45250182	ROD - DISTRIBUTOR	1
002180	10.07.00.0042	SUSPENSION SUPPORT (L)	1
002181	10.07.00.0043	REAR SUSPENSION SUPPORT	1
002249	601087	DISTRIBUTO LEVER SPRING ASSEMBLY	2
002250	601268	OIL CILINDER	1
002282	601081	DISTRIBUTOR 360° ROTATION	2
002291	901007	HYDRAULIC PUMP	1
002296	901167	SNODO SFERICO GE 30 ES 2RS	1
003868	901110	BYPASS ELECTRO-VALVE	1
002301	901183B	BY-PASS CONNECTOR	1
002302	901184	OIL TANK WITH LEVEL DETECTION	1
002305	901272	PROTECTIVE RUBBER SLEEVE (45990050)	1



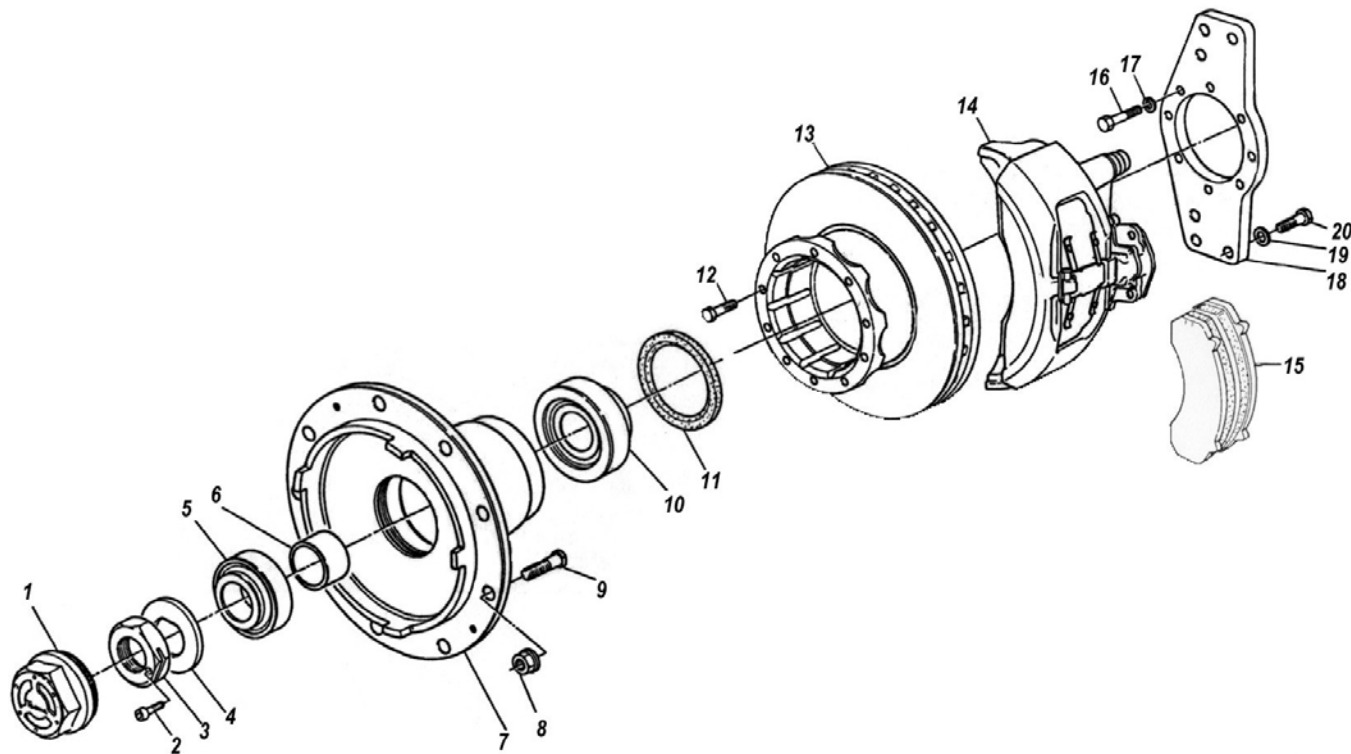
SPARE PARTS CATALOGUE RENAULT LANDER



ENGLISH

Spare part No.	Part No.	Description	QTY
002316	220000240160	BOLT	2
002327	801185	CLAMP FOR OIL TANK	1
002334	501569C	DISTRIBUTOR GROUP	1
002579	206000250000	WASHER SET FOR SHOCK ABSORBER - Ø24,5 - Ø52 - SP. 3	4
002728	05802233	FITTING CHOKE	1
003407	45250014	LEVER SUPPORT (RIGHT HAND DRIVE)	1
003409	45250105	LEVER SUPPORT (RIGHT HAND DRIVE)	1

8. Axle components



tav: n°41



SPARE PARTS CATALOGUE RENAULT LANDER



ENGLISH

SPARE PARTS LIST AXLE S08C071351RT - RIF TAV. 41

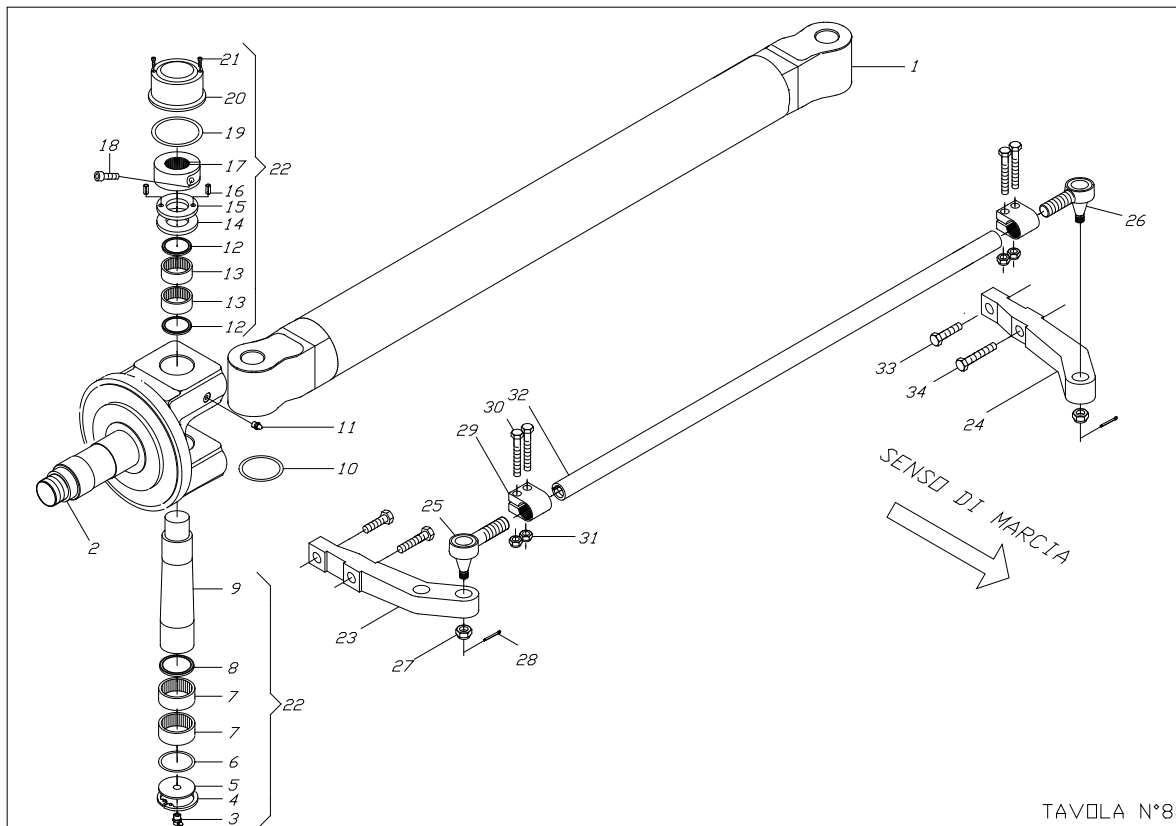
POS	Part No.	Description	QTY
01	T.04031014	HUB CUP	2
02	T.08037003	SCREW	2
03	T.04035004	NUT	2
04	T.04034015	WASHER	2
05	T.07049008	BEARING	2
06	T.04034010	SPACER	2
07	T.04046030	HUB	2
08	T.11052010	NUT	20
09	T.11048001	WHEEL STUD	20
10	T.07049009	BEARING	2
11	T.07050023	GREASE SEAL	2
12	T.08028086	SCREW	24
13	T.04047028	DISC BRAKE	2
14	T.11051020	CALIPER SN7168	1
14	T.11051021	CALIPER SN7178	1
15	T.04098013	KIT PADS	4
16	T.08028011	SCREW	16
17	T.08038005	WASHER	16
18	T.04034200	BRACKET	2
18	T.04023413	SPACER	2
19	T.08026017	WASHER	12
20	T.08028088	SCREW	12



SPARE PARTS CATALOGUE RENAULT LANDER



ENGLISH





SPARE PARTS CATALOGUE RENAULT LANDER



ENGLISH

SPARE PARTS LIST AXLE S08C071351RT - RIF TAV.88

POS	Part No.	Description	QTY
01	*****	AXLE BEAM	1
02	T.05058191	KNUCKLE	2
03	T.07040002	GREASE PLUG	2
04	T.08039001	SEEGER	2
05	T.04031080	CUP	2
06	T.07030020	O-RING	2
07	T.07049049	BEARING	4
08	T.07050030	GREASE SEAL	2
09	T.04032001	KING PIN	2
10	T.07030021	O-RING	2
11	T.07040001	GREASE PLUG	2
12	T.07050029	GREASE SEAL	4
13	T.07049048	BEARING	4
14	T.04034088	PUSHING RING	2
15	T.04034001	PUSHING RING	2
16	T.08036005	PIN	4
17	T.04035001	NUT	2
18	T.08037001	SCREW	2
19	T.07030022	O-RING	2
20	T.04031002	CUP	2
21	T.08020002	SCREW	4
22	T.12059159	KING PINS REPAIRING KIT	1
23	T.05013110	STEERING LEVER RH 2 HOLES	1
24	T.05013111	STEERING LEVER LH 1 HOLE	1



SPARE PARTS CATALOGUE
RENAULT LANDER



ENGLISH

POS	Part No.	Description	QTY
25	T.11117004	TRACK END M38X1,5 SX	1
26	T.11117003	TRACK END M38X1,5 DX	1
27	T.08029021	NUT	2
28	T.08127005	SPLIT PIN	2
29	T.04024004	CIRCLIP	2
30	T.08028041	SCREW	4
31	T.08025015	NUT	4
32	T.04043015	TRACK ROD	1
33	T.08028038	SCREW	2
34	T.08028037	SCREW	2

***** WHEN ORDERING THIS ITEM PLEASE GIVE US THE COMPLETE AXLE REFERENCE.

9. Notes



CONTACTS

S.T. System Truck S.p.A.

Via Paesa, 28 – 46048 Roverbella (MN) – Italy
Tel. +39 0376 696809 | Fax +39 0376 1760180

www.stsystemtruck.com

Information:

info@stsystemtruck.com

Export:

export@stsystemtruck.com

Aftersales:

supporto@stsystemtruck.com

Technical:

tecnico@stsystemtruck.com



CTRL+Click on link to open Google Maps: <https://goo.gl/maps/SinymEHJ3cx>

Sat Nav coordinates: **45°17'08.2"N+10°47'58.8"E**

How to find us:

By car:

From Milan → Motorway A4 exit Peschiera del Garda. Take SR249 (passing Salionze, Valeggio sul Mincio) to Roverbella.

From Venice → Motorway A4. At A4/A22 conjunction take direction Modena. Exit A22 Nogarole Rocca. Take SR62 then SP17 to Roverbella.

From Bologna → Motorway A1. At A1/A22 conjunction take direction Verona-Brennero. Exit Nogarole Rocca. Take SR62 then Sp17 to Roverbella.

From Munich (D) → Motorway A22 direction Modena. Exit A22 Nogarole Rocca. Take SR62 then SP17 to Roverbella.

By train:

Trenitalia main lines East-West and North-South directions converge to Verona. Then Mozzecane Station with local line is the nearest station to our facilities.

By plane:

Verona airport Valerio Catullo is the nearest airport to our facility. (20 min. by taxi). Other nearby international airports are: Bergamo Orio al Serio (1,25 hr), Venice Marco Polo (1,25 hr), Bologna Guglielmo Marconi (1,25 hr), Milan Linate (1,5 hr) and Milan Malpensa (2,5 hr).